

STOP VALVES & VALVES

- COMPRESSION OUTLET STOPS
 - FLARE OUTLET STOPS
 - SLIP JOINT OUTLET STOPS
- DUAL OUTLET STOPS (3-WAY)
 - DUAL HANDLE STOPS
 - LOOSE KEY VALVES
 - INTEGRAL STOP VALVES
 - REPLACEMENT PARTS
- COMPRESSION OUTLET STOPS - 1/4 TURN
 - 3-WAY STOPS
- HOSE THREAD OUTLET WASHING MACHINE STOPS
- COMPRESSION OUTLET ICE MAKER STOPS
 - OUTLET BOXES
 - WATER HAMMER ARRESTERS
- FLANGES/FLOOR & CEILING PLATES
 - BRASS BALL VALVES
 - PVC BALL VALVES
 - CPVC BALL VALVES
 - BRASS GATE VALVES
- BRASS COMPRESSION STOPS
- PVC COMPRESSION STOPS
 - CELCON VALVES
 - FGG CPVC STOPS
- BRASS CHECK VALVES
- PVC CHECK VALVES
 - HOSE BIBBS
 - BRASS SILL COCKS
 - BRASS VALVES
- STEAM RADIATOR VALVES
- BRASS SPECIALTY VALVE
 - SEWER VALVES
 - BRASS GAS VALVES
- REPLACEMENT KEYS/HANDLES

Compression Outlet Stops

IRON PIPE INLET



- Angle Stop

Part#	outlet x inlet	finish
250001	1/4" O.D. x 1/2" F.I.P	CP
250002	3/8" O.D. x 3/8" F.I.P	CP
250003	3/8" O.D. x 1/2" F.I.P	CP
250004	1/2" O.D. x 3/8" F.I.P	CP
250005	1/2" O.D. x 1/2" F.I.P	CP

Part#	outlet x inlet	finish
250007	3/8" O.D. x 1/2" F.I.P	RB



IRON PIPE INLET



- Angle Stop
- Brass Stem

Part#	outlet x inlet	finish
250010	3/8" O.D. x 3/8" F.I.P	CP
250011	3/8" O.D. x 1/2" F.I.P	CP



Brass Stem

IRON PIPE INLET



- Straight Stop

Part#	outlet x inlet	finish
250021	3/8" O.D. x 3/8" F.I.P	CP
250022	3/8" O.D. x 1/2" F.I.P	CP
250023	1/2" O.D. x 1/2" F.I.P	CP



IRON PIPE INLET



- Straight Stop
- Brass Stem

Part#	outlet x inlet	finish
250025	3/8" O.D. x 1/2" F.I.P	CP



Brass Stem

COMPRESSION INLET



- Angle Stop

Part#	outlet x inlet	finish
250031	1/4" O.D. x 5/8" O.D. (1/2"Nom.)	CP
250033	3/8" O.D. x 5/8" O.D. (1/2"Nom.)	CP
250035	1/2" O.D. x 5/8" O.D. (1/2"Nom.)	CP

Part#	outlet x inlet	finish
250037	1/4" O.D. x 5/8" O.D. (1/2"Nom.)	RB
250038	3/8" O.D. x 5/8" O.D. (1/2"Nom.)	RB



Compression Outlet Stops

COMPRESSION INLET



- Angle Stop Less Nut & Sleeve

Part#	outlet x inlet	finish
250041	3/8" O.D. x 5/8" O.D. (1/2"Nom.)	CP



COMPRESSION INLET



- Angle Stop
- Brass Stem

Part#	outlet x inlet	finish
250044	3/8" O.D. x 5/8" O.D. (1/2"Nom.)	CP
250045	1/2" or 7/16" S/J x 5/8" OD (1/2"Nom.)	CP



COMPRESSION INLET



- Straight Stop
- Brass Stem

Part#	outlet x inlet	finish
250051	3/8" O.D. x 5/8" O.D. (1/2"Nom.)	CP



COMPRESSION INLET



- Straight Stop

Part#	outlet x inlet	finish
250055	3/8" O.D. x 1/2" O.D. (3/8"Nom.)	CP
250056	3/8" O.D. x 5/8" O.D. (1/2"Nom.)	CP
250057	1/2" O.D. x 5/8" O.D. (1/2"Nom.)	CP



Part#	outlet x inlet	finish
250059	3/8" O.D. x 5/8" O.D. (1/2"Nom.)	RB



SWEAT INLET



- Angle Stop
- Brass Stem

Part#	outlet x inlet	finish
250061	1/4" O.D. x 1/2" Nom	CP
250062	3/8" O.D. x 1/2" Nom	CP
250063	1/2" O.D. x 1/2" Nom	CP



Part#	outlet x inlet	finish
250065	3/8" O.D. x 1/2" Nom	RB



TO ORDER: phone (407) 540-1650 fax (407) 540-1652

Compression Outlet Stops

ANGLE SWEAT INLET



- Angle Stop
- Brass Stem

Part#	outlet x inlet	finish
250070	3/8" O.D. x 1/2" Nom.	CP



Brass Stem

SWEAT INLET



- Straight Stop

Part#	outlet x inlet	finish
250075	3/8" O.D. x 1/2" Nom.	CP
250076	1/2" O.D. x 1/2" Nom.	CP



Part#	outlet x inlet	finish
250077	3/8" O.D. x 1/2" Nom.	RB
250078	1/4" O.D. x 1/2" Nom.	RB



CPVC INLET



- CPVC Angle Stop

Part#	outlet x inlet	finish
250080	3/8" O.D. x 1/2" CPVC	CP



CPVC INLET



- CPVC Straight Stop

Part#	outlet x inlet	finish
250083	3/8" O.D. x 1/2" CPVC	CP



PEX INLET



- Angle Stop
- Used with Pex tubing only

Part#	outlet x inlet	finish
250085	3/8" O.D. x 1/2" Barb	CP



Compression Outlet Stops

PEX INLET



- Straight Stop
- Used with Pex tubing only

Part#	outlet x inlet	finish
250086	3/8" O.D. x 1/2" Barb	CP



PEX INLET



- Straight Stop
- Used with Pex tubing only

Part#	outlet x inlet	finish
250087	1/2" Barb x 1/2" Barb	CP



Flare Outlet Stops

IRON PIPE INLET



- Angle Stop

Part#	outlet x inlet	finish
250090	3/8" O.D. Flare x 1/2" F.I.P.	CP
250091	1/2" O.D. Flare x 1/2" F.I.P.	CP



Slip Joint Outlet Stops

IRON PIPE INLET



- Angle Stop

Part#	outlet x inlet	finish
250093	7/16" or 1/2" S/J x 1/2" F.I.P.	CP



IRON PIPE INLET



- Angle Stop
- Brass Stem

Part#	outlet x inlet	finish
250095	7/16" or 1/2" S/J x 1/2" F.I.P.	CP



IRON PIPE INLET



- Straight Stop

Part#	outlet x inlet	finish
250097	7/16" or 1/2" S/J x 1/2" F.I.P.	CP



Dual Outlet (Three-Way)

COMPRESSION INLET



Part#	outlet x outlet x inlet	finish
250100	3/8" O.D. x 1/4" O.D. x 5/8" O.D. (1/2" Nom.)	CP
250101	3/8" O.D. x 3/8" O.D. x 5/8" O.D. (1/2" Nom.)	CP
250102	1/2" O.D. x 3/8" O.D. x 5/8" O.D. (1/2" Nom.)	CP



Part#	outlet x outlet x inlet	finish
250105	3/8" O.D. x 3/8" O.D. x 5/8" O.D. (1/2" Nom.)	RB



PEX INLET



- Used with Pex tubing only

Part#	outlet x outlet x inlet	finish
250106	3/8" O.D. x 3/8" O.D. x 1/2" Barb	CP



Dual Handle Stop

COMPRESSION INLET



Part#	outlet x outlet x inlet	finish
250107	3/8" O.D. x 1/4" O.D. x 5/8" O.D. (1/2" Nom.)	CP
250108	3/8" O.D. x 3/8" O.D. x 5/8" O.D. (1/2" Nom.)	CP



IRON PIPE INLET



Part#	outlet x outlet x inlet	finish
250109	3/8" O.D. x 1/4" O.D. x 1/2" F.I.P.	CP
250110	3/8" O.D. x 3/8" O.D. x 1/2" F.I.P.	CP



Loose Key Valves

IRON PIPE INLET



- Angle Stop
- With Loose Key

Part#	outlet x inlet	finish
250115	3/8" O.D. x 1/2" F.I.P.	CP



COMPRESSION INLET



- Angle Stop
- With Loose Key

Part#	outlet x inlet	finish
250117	3/8" O.D. x 5/8" O.D. (1/2" Nom.)	CP



SWEAT INLET



- Angle Stop
- With Loose Key

Part#	outlet x inlet	finish
250118	3/8" O.D. x 1/2" Nom. Sweat	CP



Loose Key Valves

IRON PIPE INLET



- Angle Stop
- With Loose Key

Part#	outlet x inlet	finish
250119	3/8" F.I.P. x 3/8" F.I.P.	CP
250120	1/2" F.I.P. x 1/2" F.I.P.	CP



SWEAT INLET



- Straight Stop
- With Loose Key

Part#	outlet x inlet	finish
250126	3/8" O.D. x 5/8" O.D. (1/2" Nom.)	CP



IRON PIPE INLET



- Straight Stop
- With Loose Key

Part#	outlet x inlet	finish
250130	1/2" F.I.P. x 1/2" F.I.P.	CP

Integral Stop Valve

IRON PIPE INLET



- Screwdrive Slotted Valve

Part#	outlet x inlet
250131	1/2" M.I.P. x 1/2" F.I.P.



Replacement Parts

ADD-A-OUTLET ADAPTER

- Screws on existing straight or angle supply stop & converts it to a dual outlet
- Brass Construction

Part#	inlet x outlet x outlet
250133	3/8" O.D. x 3/8" O.D. x 1/4" O.D.
250134	3/8" O.D. x 3/8" O.D. x 3/8" O.D.
250135	1/2" O.D. x 1/2" O.D. x 3/8" O.D.



Female Compression

VALVE HANDLE



- Replacement Handle
- Chrome

Part#	description	finish
250136	oval	CP



OVAL REPLACEMENT HANDLE



- Chrome Plated Die-cast Metal
- Universal

Part#	description	finish
250137	18-broach-oval	CP



Replacement Parts

LOOSE KEY HANDLE

- 1/4" Hex - square
- Chrome

Part#	description	finish
250138	loose key replacement	CP



HANDLE SCREW

- For Stop Valve Handles
- Chrome

Part#	description	finish
250139	handle screw	CP



BIBB WASHER

- Fits Stop Valve Stem

Part#	description	finish
250140	bibb washer for stem	rubber



Compression Outlet Stops - 1/4 Turn

IRON PIPE INLET - 1/4 TURN



- Angle Stop
- Brass Ball Mechanism
- Teflon Seats
- Forged Brass Body

Part#	outlet x inlet	finish
250150	3/8" O.D. x 3/8" F.I.P.	CP
250151	1/4" O.D. x 1/2" F.I.P.	CP
250152	3/8" O.D. x 1/2" F.I.P.	CP
250153	3/8" O.D. x 3/8" F.I.P.	CP
250154	1/2" or 7/16" S/J x 1/2" F.I.P.	CP



IRON PIPE INLET - 1/4 TURN



- Straight Stop
- Brass Ball Mechanism
- Teflon Seats
- Forged Brass Body

Part#	outlet x inlet	finish
250160	3/8" O.D. x 3/8" F.I.P.	CP
250161	3/8" O.D. x 1/2" F.I.P.	CP



COMPRESSION INLET - 1/4 TURN



- Angle Stop
- Brass Ball Mechanism
- Teflon Seats
- Forged Brass Body

Part#	outlet x inlet	finish
250170	1/4" O.D. x 5/8" O.D. (1/2" Nom.)	CP
250171	3/8" O.D. x 5/8" O.D. (1/2" Nom.)	CP
250172	1/2" O.D. x 5/8" O.D. (1/2" Nom.)	CP
250173	1/2" or 7/16" S/J x 5/8" O.D. (1/2" Nom.)	CP



Compression Outlet Stops - 1/4 Turn

COMPRESSION INLET - 1/4 TURN



- Straight Stop
- Brass Ball Mechanism
- Teflon Seats
- Forged Brass Body

Part# outlet x inlet finish
 250175 3/8" O.D. x 5/8" O.D. (1/2" Nom.) CP



SWEAT INLET - 1/4 TURN



- Angle Stop
- Brass Ball Mechanism
- Teflon Seats
- Forged Brass Body

Part# outlet x inlet finish
 250180 3/8" O.D. x 1/2" Sweat CP



SWEAT INLET - 1/4 TURN



- Straight Stop
- Brass Ball Mechanism
- Teflon Seats
- Forged Brass Body

Part# outlet x inlet finish
 250181 3/8" O.D. x 1/2" Sweat CP



3-Way Stops

IRON PIPE INLET -1/4 TURN



- Dual Outlet
- Brass Ball Mechanism
- Teflon Seats
- Forged Brass Body

Part#	outlet x outlet x inlet	finish
250190	3/8" O.D. x 3/8" O.D. x 3/8" F.I.P.	CP
250191	3/8" O.D. x 3/8" O.D. x 1/2" F.I.P.	CP
250192	3/8" O.D. x 1/4" O.D. x 1/2" F.I.P.	CP
250193	1/2" or 7/16" S/J x 3/8" O.D. x 1/2" F.I.P.	CP
250194	1/2" or 7/16" S/J x 1/2" or 7/16" S/J x 1/2" F.I.P.	CP



COMPRESSION INLET - 1/4 TURN



- Dual Outlet
- Brass Ball Mechanism
- Teflon Seats
- Forged Brass Body

Part#	outlet x inlet	finish
250200	3/8" O.D. x 3/8" O.D. x 5/8" O.D. (1/2" Nom.)	CP
250201	3/8" O.D. x 1/4" O.D. x 5/8" O.D. (1/2" Nom.)	CP
250202	1/2" or 7/16" S/J x 1/2" or 7/16" S/J x 5/8" O.D.(1/2" Nom.)	CP



SWEAT INLET - 1/4 TURN



- Dual Outlet
- Brass Ball Mechanism
- Teflon Seats
- Forged Brass Body

Part#	outlet x inlet	finish
250205	3/8" O.D. x 3/8" O.D. x 5/8" O.D. (1/2" Nom.) Sweat	CP



TO ORDER: phone (407) 540-1650 fax (407) 540-1652

Hose Thread Outlet Washing Machine Stops

IRON PIPE INLET - 1/4 TURN



- Brass Ball Mechanism
- Teflon Seats
- Forged Brass Body
- 3/4" M.H.T. x 1/2" M.I.P. or Sweat



Part#	description	finish
250210	COLD (blue handle)	CP
250211	HOT (red handle)	CP

PEX INLET - 1/4 TURN



- Brass Ball Mechanism
- Teflon Seats
- Forged Brass Body
- 3/4" M.H.T. x 1/2" PEX inlet



Part#	description	finish
250212	COLD (blue handle)	CP
250213	HOT (red handle)	CP

Compression Outlet Ice Maker Stops

IRON PIPE/SWEAT INLET - 1/4 TURN



- Brass Ball Mechanism
- Teflon Seats
- Forged Brass Body
- 1/4" O.D. x 1/2" M.I.P. or Sweat



Part#	description	finish
250215	blue handle	CP

Outlet Boxes

ICE MAKER BOX

- 1/4 Turn Ball Valve Installed
- 1/4" O.D. Compression Outlet

Part#	connection
250220	1/2" M.I.P. or Sweat
250221	1/2" PEX



ICE MAKER BOX W/HAMMER ARRESTER

- Hammer Arrester Installed
- 1/4" O.D. Compression Outlet

Part#	connection
250222	1/2" Sweat



CENTER DRAIN WASHING MACHINE OUTLET BOX

- Heavy Duty Plastic
- 2" Drain Coupling w/Knock-out Test Cap Molded Into Box
- Less Valve

Part#	connection
250225	center drain



DUAL DRAIN WASHING MACHINE OUTLET BOX

- 1/4 Turn Ball Valve Installed
- 3/4" M.H.T. Outlet
- Right or Left Side Drain

Part#	connection
250227	1/2" M.I.P. or 1/2" Sweat
250228	1/2" CPVC
250229	1/2" PEX



CENTER DRAIN WASHING MACHINE OUTLET BOX

- 1/4 Turn Ball Valve Installed
- 3/4" M.H.T. Outlet
- Center Drain

Part#	connection
250230	1/2" M.I.P. or 1/2" Sweat
250231	1/2" CPVC
250232	1/2" PEX



WASHING MACHINE OUTLET BOX W/HAMMER ARRESTER

Part#	connection
250234	1/2" M.I.P. or 1/2" Sweat dual drain
250235	1/2" M.I.P. or 1/2" Sweat center drain



Water Hammer Arresters

**WATER HAMMER ARRESTER -
1/2" M.I.P.**



- AA - Mini Size
- 1/2" Male Pipe Connection
- Can Be Installed In Any Direction
- 250°F Maximum Working Temperature
- 300PSI Maximum Working Pressure

Part# 250240 **connection** 1/2" M.I.P.

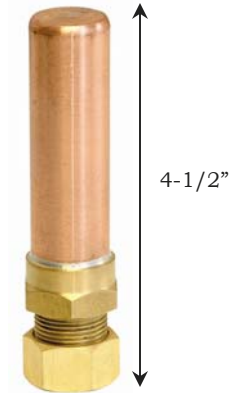


**WATER HAMMER ARRESTER -
5/8" O.D. COMP.**



- AA - Mini Size
- 5/8" O.D. Straight Compression Connection
- Can Be Installed In Any Direction
- 250°F Maximum Working Temperature
- 300PSI Maximum Working Pressure

Part# 250242 **connection** 5/8" O.D. Comp.



**WATER HAMMER ARRESTER -
1/2" CPVC**



- AA - Mini Size
- 1/2" CPVC Connection
- Can Be Installed In Any Direction
- 250°F Maximum Working Temperature
- 300PSI Maximum Working Pressure

Part# 250244 **connection** 1/2" CPVC

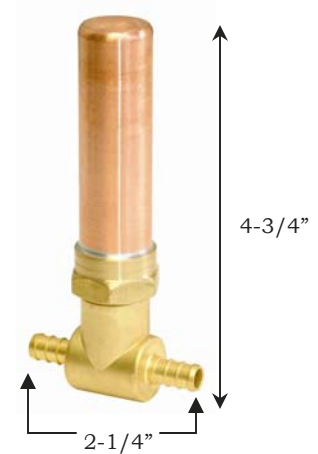


**WATER HAMMER ARRESTER -
3/8" PEX TEE**



- AA - Mini Size
- 3/8" PEX Connection
- Can Be Installed In Any Direction
- 250°F Maximum Working Temperature
- 300PSI Maximum Working Pressure

Part# 250246 **connection** 3/8" PEX TEE



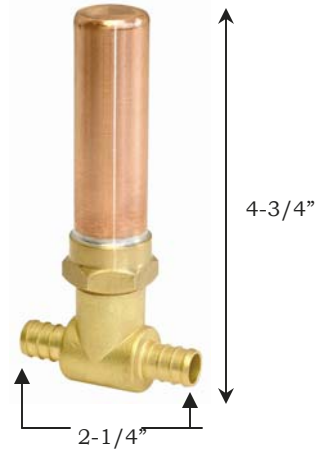
Water Hammer Arresters

**WATER HAMMER ARRESTER -
1/2" PEX**



- AA - Mini Size
- 1/2" PEX Connection
- Can Be Installed In Any Direction
- 250°F Maximum Working Temperature
- 300PSI Maximum Working Pressure

Part# 250248 **connection** 1/2" PEX

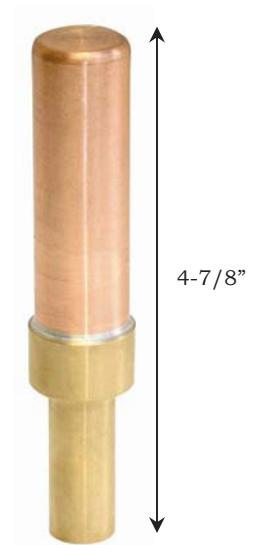


**WATER HAMMER ARRESTER -
1/2" SWEAT**



- AA - Mini Size
- 1/2" Male Sweat Connection
- Can Be Installed In Any Direction
- 250°F Maximum Working Temperature
- 300PSI Maximum Working Pressure

Part# 250249 **connection** 1/2" Male Sweat

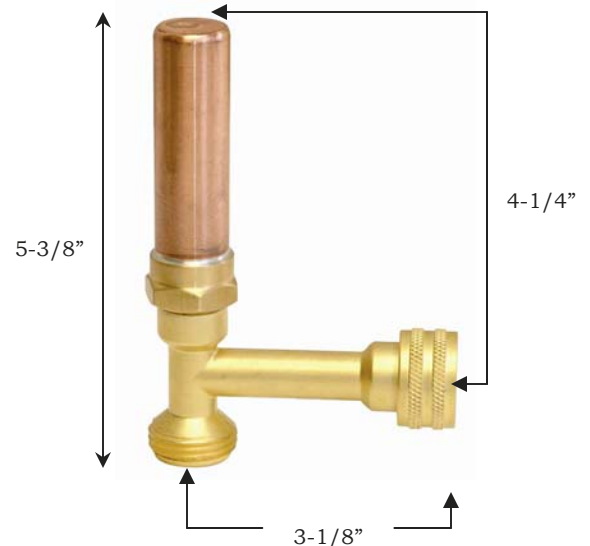


**WATER HAMMER ARRESTER
3/4" SWIVEL F.H.T. x 3/4" M.H.T.**



- AA - Mini Size
- 3/4" Swivel F.H.T. x 3/4" M.H.T. Connection
- Can Be Installed In Any Direction
- 250°F Maximum Working Temperature
- 300PSI Maximum Working Pressure

Part# 250250 **connection** 3/4" Swivel F.H.T. x 3/4" M.H.T.



Decorative Wall Flange

DECORATIVE WALL FLANGE - PVD FINISH

Part#	size	finish
250260	1/2" I.P.S.	PB
250261	5/8" O.D. (1/2 Nom.)	PB
250263	5/8" O.D. (1/2 Nom.)	Sat.Chm.



Sure Grip Flanges

STEEL PIPE SIZES

- Chrome

Part#	description
250268	3/8" I.P.S.
250270	1/2" I.P.S.
250271	3/4" I.P.S.
250272	1-1/2" I.P.S.
250273	2" I.P.S.



COPPER TUBING SIZES

- Chrome

Part#	description
250280	5/8" O.D. (1/2" Nom.)
250281	7/8" O.D. (3/4" Nom.)
250282	1-1/4" O.D. (1" Nom.)
250283	1-1/2" O.D. (1-1/4" Nom.)



STEEL PIPE SIZES

- ABS Plastic
- White

Part#	description
250285	3/8" I.P.S.
250287	1/2" I.P.S.
250288	3/4" I.P.S.
250289	1-1/2" I.P.S.



COPPER TUBING SIZES

- ABS Plastic
- White

Part#	description
250290	5/8" O.D. (1/2" Nom.)
250291	7/8" O.D. (3/4" Nom.)
250292	1-1/4" O.D. (1" Nom.)
250293	1-1/2" O.D. (1-1/4" Nom.)



Deep Bell Flanges

STEEL PIPE SIZES

- Chrome

Part#	description
250295	3/8" I.P.S.
250297	1/2" I.P.S.



COPPER TUBING SIZES

- Chrome

Part#	description
250300	3/8" O.D. (1/4" Nom.)
250301	5/8" O.D. (1/2" Nom.)
250302	1 1/16" O.D. (For 5" Extension Valve)
250303	1-1/4" O.D. (1" Nom.)
250304	1-1/2" O.D. (1-1/4" Nom.)



Steel Box Flanges

BOX FLANGE

- Chrome Plated

Part#	description
250306	1-1/2" I.P.S.
250307	1-1/4" O.D. (1" Nom.)
250308	1-1/2" O.D. (1-1/4" Nom.)



Floor & Ceiling Plates

STEEL PIPE SIZES

- Chrome Plated

Part#	description
250310	3/8" I.P.S.
250311	1/2" I.P.S.
250312	3/4" I.P.S.
250313	1" I.P.S.
250314	1-1/4" I.P.S.
250315	1-1/2" I.P.S.
250317	2" I.P.S.



COPPER TUBING SIZES

- Chrome Plated

Part#	description
250319	5/8" O.D. (1/2" Nom.)
250320	7/8" O.D. (3/4" Nom.)



Brass Ball Valves

HEAVY DUTY FULL PORT BALL VALVE



- Forged Brass Construction
- Stamped Steel Handle w/Vinyl Grip
- Teflon Seal
- 150 PSIG for Saturated Steam

• **IPS Connect**

Part#	size		
250330	1/4"	I.P.S.	600 WOG
250331	3/8"	I.P.S.	600 WOG
250332	1/2"	I.P.S.	600 WOG
250333	3/4"	I.P.S.	600 WOG
250334	1"	I.P.S.	600 WOG
250335	1-1/4"	I.P.S.	600 WOG
250336	1-1/2"	I.P.S.	600 WOG
250337	2"	I.P.S.	600 WOG

• **Sweat Connect**

Part#	size		
250340	1/2"	CxC	600 WOG
250341	3/4"	CxC	600 WOG
250342	1"	CxC	600 WOG
250343	1-1/4"	CxC	600 WOG
250344	1-1/2"	CxC	600 WOG
250345	2"	CxC	600 WOG



FULL PORT BALL VALVE

- Forged Brass
- Stamped Steel Handle w/Vinyl Grip
- Teflon Seal
- 150 PSIG for Saturated Steam

• **IPS Connect**

Part#	size		
250350	1/2"	I.P.S.	600 WOG
250351	3/4"	I.P.S.	600 WOG
250352	1"	I.P.S.	600 WOG
250353	1-1/2"	I.P.S.	600 WOG
250354	2"	I.P.S.	600 WOG

• **Sweat Connect**

Part#	size		
250360	1/2"	CxC	600 WOG
250361	3/4"	CxC	600 WOG
250362	1"	CxC	600 WOG
250363	1-1/2"	CxC	600 WOG
250364	2"	CxC	600 WOG



STANDARD PORT BALL VALVE COMPRESSION



- Forged Construction
- Stamped Steel Handle w/Vinyl Grip
- Teflon Seal
- 125 PSIG for Saturated Steam

Part#	size	
250370	1/2" Comp.	400 WOG
250371	3/4" Comp.	400 WOG



Brass Ball Valves

STANDARD PORT BALL VALVE W/DRAIN



- Forged Construction
- Stamped Steel Handle w/Vinyl Grip
- Teflon Seal
- 125 PSIG for Saturated Steam

Part#	size		
250375	1/2"	I.P.S.	400 WOG
250376	3/4"	I.P.S.	400 WOG
250377	1"	I.P.S.	400 WOG



PVC Ball Valves

SCHEDULE 40 PVC BALL VALVE

- Schedule 40
- One Piece Body Construction
- 150 PSI Working Pressure-For Use on Water Lines to 140°F
- 1/4 Turn Operation, Standard Port

• IPS Connect

Part#	size		
250380	1/2"	I.P.S.	
250381	3/4"	I.P.S.	
250382	1"	I.P.S.	
250383	1-1/2"	I.P.S.	
250385	2"	I.P.S.	



• Solvent Connect

Part#	size		
250390	1/2"	Solvent	
250391	3/4"	Solvent	
250392	1"	Solvent	
250393	1-1/4"	Solvent	
250394	1-1/2"	Solvent	
250395	2"	Solvent	
250396	3"	Solvent	



SCHEDULE 80 PVC BALL VALVE



- Schedule 80
- UPC & NSF Approved

Part#	size		
250400	1/2"	Slip Soc End	
250401	3/4"	Slip Soc End	
250402	1"	Slip Soc End	

Part#	size		
250405	1/2"	F.I.P. Soc End	
250406	3/4"	F.I.P. Soc End	
250407	1"	F.I.P. Soc End	



CPVC Ball Valves

SCHEDULE 80 CPVC BALL VALVE



- Schedule 80
- UPC & NSF Approved

Part#	size	
250409	1/2"	Slip x Slip
250410	3/4"	Slip x Slip
250412	1"	Slip x Slip



FLOWGUARD GOLD CPVC BALL VALVE



- Schedule 80
- UPC & NSF Approved
- EPDM O-ring
- Patented Cam-lok design
- 180 PSI Working Pressure 78°F

Part#	size	
250413	1/2"	Slip x Slip
250414	3/4"	Slip x Slip
250415	1"	Slip x Slip



Brass Gate Valves

GATE VALVE



- 125 PSI - 150 WOG
- Full Flow Non-rising Stem
- Designed To Operate In A Fully Open or Closed Position

• IPS Connect

Part#	size	
250420	3/8"	I.P.S.-forged
250421	1/2"	I.P.S.-forged
250422	3/4"	I.P.S.-forged
250423	1"	I.P.S.-forged
250424	1-1/4"	I.P.S.-cast
250425	1-1/2"	I.P.S.-cast
250426	2"	I.P.S.-cast

• Sweat Connect

Part#	size	
250427	1/2"	CxC-forged
250428	3/4"	CxC-forged
250429	1"	CxC-forged
250430	1-1/2"	CxC-cast
250431	2"	CxC-cast



Brass Compression Stops

BRASS COMPRESSION STOP

- Brass Construction
- Soft Seat 125 PSI

• IPS Connect

Part#	size	
250435	1/2"	I.P.S.
250436	3/4"	I.P.S.

• Sweat Connect

Part#	size	
250437	1/2"	CxC
250438	3/4"	CxC



Brass Compression Stops

BRASS COMPRESSION STOP & WASTE

- Brass Construction
- Soft Seat 125 PSI
- Allows For Draining The Non-pressure Side Of The Valve

• **IPS Connect**

Part#	size	
250440	1/2"	I.P.S.
250441	3/4"	I.P.S.

• **Sweat Connect**

Part#	size	
250442	1/2"	CxC
250443	3/4"	CxC



BRASS COMPRESSION STOP

- Brass Construction
- Soft Seat 125 PSI
- Compression Inlet & Outlet for Ease Of Installation

• **Stop Only**

Part#	size	
250444	1/2"	Comp.
250445	3/4"	Comp.

• **Stop & Waste**

Part#	size	
250446	1/2"	Comp.
250447	3/4"	Comp.



PVC Compression Stops

PVC COMPRESSION STOP

- Compression Stop
- 150 PSI up to 100°F
- For Use With Cold Water

Part#	size	
250450	1/2"	Solvent
250451	3/4"	Solvent



Celcon Valves

CELCON HOSE BIBB

- Celcon Body Valves Can Be Used in Hot or Cold Water Systems Up to 180°F
- M.H.T. Outlet

Part#	size	
250452	1/2"	M.I.P.
250453	3/4"	M.I.P.



CELCON BOILER DRAIN

- Celcon Body Valves Can Be Used in Hot or Cold Water Systems Up to 180°F
- M.H.T. Outlet

Part#	size	
250454	1/2"	M.I.P.



FGG CPVC Stops

CPVC STOP VALVE

- FlowGuard Gold CPVC
- Straight

Part#	size	
250456	1/2"	Slip x Slip
250457	3/4"	Slip x Slip



CPVC SUPPLY STOP

- FlowGuard Gold CPVC
- Angle

Part#	size	
250458	1/2"	Slip x 3/8" O.D. Comp.



CPVC ICEMAKER VALVE

- FlowGuard Gold CPVC
- Angle

Part#	size	
250459	1/2"	CPVC x 1/4"



Brass Check Valves

SWING CHECK VALVE - BRASS

- Cast Brass Construction
- Straight Patter 125 PSI - 200 WOG
- Used To Prevent The Backflow Of Fluids



Part#	size	
250460	1/2"	I.P.S.
250461	3/4"	I.P.S.
250462	1"	I.P.S.
250463	1-1/4"	I.P.S.
250464	1-1/2"	I.P.S.
250465	2"	I.P.S.
250466	2-1/2"	I.P.S.
250467	3"	I.P.S.
250468	4"	I.P.S.



Part#	size	
250470	1/2"	CxC
250471	3/4"	CxC
250472	1"	CxC

IN-LINE CHECK VALVE - BRASS

- Cast Brass Construction
- Maintenance Free Operation
- 200 PSI / 5 PSI To Open
- Stainless Steel Spring Loaded
- Used To Prevent The Backflow Of Fluids



Part#	size	
250480	1/2"	I.P.S.
250481	3/4"	I.P.S.
250482	1"	I.P.S.
250483	1-1/4"	I.P.S.
250483	1-1/2"	I.P.S.
250485	2"	I.P.S.

PVC Check Valves

IN-LINE CHECK VALVE - PVC

- 200 PSI / 5 PSI To Open
- 316 Stainless Steel Spring
- Used On Water Lines to 140°F



Part#	size	
250490	1/2"	Solvent
250491	3/4"	Solvent
250492	1"	Solvent
250493	1-1/4"	Solvent
250494	1-1/2"	Solvent
250495	2"	Solvent

Heavy Duty No-Kink Hose Bibbs

FEMALE NO-KINK HOSE BIBB

COMPLIES WITH NSF-61

- Heavy Pattern Brass Construction
- With Stuffing Box
- Oversized Handle



Part#	size	
250500	1/2"	F.I.P.
250501	3/4"	F.I.P.

MALE NO-KINK HOSE BIBB

COMPLIES WITH NSF-61

- Heavy Pattern Brass Construction
- With Stuffing Box
- Oversized Handle



Part#	size	
250502	1/2"	M.I.P.
250503	3/4"	M.I.P.

No-Kink Hose Bibbs

FEMALE NO-KINK HOSE BIBB

- Brass Construction
- Rough Brass Finish
- MHT Outlet



Part#	size	
250505	1/2"	F.I.P.
250506	3/4"	F.I.P.

MALE NO-KINK HOSE BIBB

- Brass Construction
- Rough Brass Finish
- MHT Outlet



Part#	size	
250507	1/2"	M.I.P.
250508	3/4"	M.I.P.

SWEAT INLET NO-KINK HOSE BIBB

- Brass Construction
- Rough Brass Finish
- MHT Outlet - Fits Pipe



Part#	size	
250509	1/2"	CVC Only

NO-KINK HOSE BIBB

- Fits 3/4" Fitting Or 1/2" Pipe



Part#	size	
250510	1/2" or 3/4"	CxC

Brass Hose Bibbs

HEAVY DUTY HOSE BIBB

- Heavy Brass Construction
- With Stuffing Box
- Heavy Handle



Part#	size
250515	1/2" M.I.P. x M.H.T.
250516	3/4" M.I.P. x M.H.T.

HOSE BIBB

- Brass Body
- Rough Brass Finish



Part#	size
250517	1/2" M.I.P. x M.H.T.
250518	3/4" M.I.P. x M.H.T.

BENT NOSE GARDEN VALVE

- Rough Brass Finish



Part#	size
250520	1/2" F.I.P. x M.H.T.
250521	3/4" F.I.P. x M.H.T.
250522	1" F.I.P. x M.H.T.

BENT NOSE LOOSE KEY GARDEN VALVE

- Rough Brass Finish



Part#	size
250525	3/4" F.I.P. x M.H.T.

LOOSE KEY HOSE BIBB - FEMALE

- Rough Brass Finish
- Includes Key
- 1/4" Square Key Pattern



Part#	size
250526	1/2" F.I.P. x M.H.T.
250527	3/4" F.I.P. x M.H.T.

LOOSE KEY HOSE BIBB - MALE

- Rough Brass Finish
- Includes Key
- 1/4" Square Key Pattern



Part#	size
250528	1/2" M.I.P. x M.H.T.
250529	3/4" M.I.P. x M.H.T.

1/4 Turn Hose Bibbs

MALE LOCK LEVER HOSE BIBB

- 1/4 Turn Ball Valve
- Nickel Plated Brass
- Lockable Handle
- M.H.T. Outlet



Part#	size	
250530	1/2"	M.I.P.
250531	3/4"	M.I.P.

MALE HOSE BIBB - 1/4 TURN

- Forged Brass
- 3/4" M.H.T. Outlet



Part#	size	
250532	1/2"	M.I.P.
250533	3/4"	M.I.P.

COMPLIES WITH NSF-61

SWEAT HOSE BIBB - 1/4 TURN

- Forged Brass



Part#	size	
250535	1/2"	Sweat
250536	3/4"	Sweat

COMPLIES WITH NSF-61

MALE BOILER DRAIN - 1/4 TURN

- Forged Brass
- 3/4" M.H.T. Outlet



Part#	size	
250540	1/2"	M.I.P.
250541	3/4"	M.I.P.

COMPLIES WITH NSF-61

FEMALE BOILER DRAIN - 1/4 TURN

- Forged Brass



Part#	size	
250542	1/2"	F.I.P.
250543	3/4"	F.I.P.

COMPLIES WITH NSF-61

Brass Sill Cocks

FROST FREE SILL COCK

- Heavy Brass Construction
- Notched For Stable Installation
- Satin Nickel Plated Finish
- M.H.T. Outlet

1/2" M.I.P. or 1/2" CxC Inlet

Part#	size
250545	4"
250546	6"
250547	8"
250548	10"
250549	12"



3/4" M.I.P. or 1/2" F.I.P. Inlet

Part#	size
250550	4"
250551	6"
250552	8"
250553	10"

FROST FREE SILL COCK W/VACUUM BREAKER

- Heavy Brass Construction
- Notched For Stable Installation
- Satin Nickel Plated Finish
- Anti-siphon Frost Free w/Vacuum Breaker
- UPC Listed

1/2" M.I.P. or 1/2" CxC Inlet

Part#	size
250555	6"
250556	10"
250557	12"
250558	14"



Brass Valves

SILL COCK

- Rough Brass Finish
- M.H.T. Outlet

Part#	size	
250560	1/2"	F.I.P.
250561	3/4"	F.I.P.
250562	1/2"	CxC



BOILER DRAIN

- Rough Brass Finish
- M.H.T. Outlet

Part#	size	
250565	1/2"	M.I.P.
250566	3/4"	M.I.P.
250567	1/2"	F.I.P.
250569	3/4"	F.I.P.



Brass Valves

BOILER DRAIN W/STUFFING BOX

- Rough Brass Finish
- M.H.T. Outlet
- Brass w/Stuffing Box

Part#	size	
250570	1/2"	M.I.P.
250571	3/4"	M.I.P.
250572	1/2"	F.I.P.
250573	3/4"	F.I.P.



WATER HEATER DRAIN VALVE

- Brass
- 2-1/4" Long Shank
- M.H.T. Outlet

Part#	size	
250575	3/4"	M.I.P.



WATER HEATER DRAIN VALVE

- Nylon
- 2-1/4" Long Shank
- M.H.T. Outlet

Part#	size	
250580	3/4"	M.I.P.



HOSE BIBB ANTI-SIPHON VACUUM BREAKER

- Break Off Screw For Permanent Installation
- 125 PSI / Temp. Rating 180°F
- Self-draining

Part#	description
250581	rough brass
250582	chrome plated



WASHING MACHINE VALVE - COMPRESSION

- Cast Brass Body
- T Handle
- M.H.T. Outlet
- Satin Chrome Finish

Part#	size
250585	5/8" O.D. (1/2" Nom.)
250586	1/2" F.I.P.



WASHING MACHINE VALVE

- Bronze Body
- EZ Close Single Control
- 2-3/8" Centers

Part#	size
250588	1/2" I.P.S. or CxC



Brass Valves

PRESSURE BALANCE VALVE

- Ceramic Disc Cartridge
- Forged Brass Body
- Integral Stops
- Temperature Limit Stops
- Reversible Ceramic Cartridge
- 1/2" I.P.S. Connections
- ASSE 1016 Approved



Part#	size	
250670	1/2"	I.P.S.

Steam Radiator Valves

RADIATOR AIR VALVE

- 5 PSI max. operating pressure
- 10 PSI max. pressure



Part#	size	
250610	1/8"	angle M.I.P.
250611	1/8"	straight M.I.P.
250612	1/4"	straight M.I.P.

RADIATOR AIR VALVE

- 5 PSI max. operating pressure
- 10 PSI max. pressure



Part#	size	
250615	3/4" M.I.P. x 1/2"	straight F.I.P.

ADJUSTABLE RADIATOR AIR VALVE

- 1-1/2 PSI max. operating pressure
- 10 PSI max. pressure
- Adjustable



Part#	size	
250616	1/8"	angle M.I.P.

COIN KEY AIR VALVE

- Nickel Plated
- Uses 7/32" Square Hole Valve Key (ordered separately - part# 250655)



Part#	description
250617	coin key valve

BRASS STEAM RADIATOR ANGLE VALVE

- Includes Nut & Tailpiece



Part#	size	
250605	1/2"	F.I.P.
250606	3/4"	F.I.P.
250607	1"	F.I.P.
250608	1-1/4"	F.I.P.
250609	1-1/2"	F.I.P.

Brass Specialty Valves

BRASS EVAPORATIVE COOLER VALVE

- 1/8" F.I.P. Side Tap
- 3/4" M.H.T. Outlet Or 3/4" M.P.T. Outlet



Part#	size
250590	3/4" F.I.P. x 3/4" M.H.T.
250591	3/4" F.I.P. x 3/4" M.P.T.

EVAPORATIVE COOLER FLOAT VALVE ASSEMBLY

- Brass Body & Rod
- Plastic Float
- CxC Inlet



Part#	size
250595	1/4" O.D. Comp.
250596	3/8" O.D. Comp.

BRASS FLOAT VALVE



Part#	size
250600	3/4" M.I.P. x 3/4" M.I.P.
250601	1-1/4" F.I.P. Plain
250602	1-1/2" F.I.P. Plain

DRUM & BARREL FAUCET

- For Use w/Petroleum Products (except Trichlorethylene)
- Not For Use w/Detergents Or Water
- Self Closing
- Metal Body



Part#	size
250603	3/4" M.I.P.

Sewer Valves

SEWER RELIEF VALVE



Part#	size
250620	2-1/2"
250621	3"
250622	3-1/2"
250623	4"

Brass Gas Valves

BRASS LEVER HANDLE GAS VALVE



- Lever Handle
- Used for Liquified Petroleum, LP Gas & Air Mixtures up to 175 PSI
- F.I.P x F.I.P. Gas Valve

Part#	F.I.P. size
250625	3/8"
250626	1/2"
250627	3/4"
250628	1"



BRASS STRAIGHT GAS BALL VALVE



- Lever Handle
- Used for Liquified Petroleum, LP Gas & Air Mixtures up to 175 PSI
- Straight Valve

Part#	F.I.P. size	Flare size
250630	1/2"	3/8"
250631	1/2"	1/2"
250632	1/2"	15/16"
250633	3/4"	1/2"
250634	3/4"	15/16"



BRASS ANGLE FLARE GAS VALVE



- Lever Handle
- Used for Liquified Petroleum, LP Gas & Air Mixtures up to 175 PSI
- Angle Valve

Part#	F.I.P. size	Flare size
250635	1/2"	3/8"
250636	1/2"	1/2"
250637	3/4"	15/16"



BRASS FLAT HEAD GAS VALVE



- Square Head Handle
- Used for Liquified Petroleum, LP Gas & Air Mixtures up to 175 PSI
- F.I.P x F.I.P. Gas Valve

Part#	F.I.P. size
250640	3/8"
250641	1/2"
250642	3/4"
250643	1"



Replacement Keys & Handles

4 WAY SILL COCK KEY

- Fits Square Stems 1/4", 5/16", 9/32" & 11/32"
- Hardened Steel Construction

Part# 250645 **description** universal key



HOSE BIBB KEY

- For Loose Key Hose Bibbs

Part# 250646 **description** 5/16" square hole



LOG LIGHTER KEY

- 5/16" Square

Part# 250648 **description** 3" long
250649 10" long



RADIATOR KEY

- For 7/32" Square Hole

Part# 250655 **description** nickel plated



"T" HANDLE

Part# 250660 **description** round 12 point branch hole
250661 5/16" square hole



WHEEL HANDLE

Part# 250664 **description** round 12 point branch hole
250665 5/16" square hole

