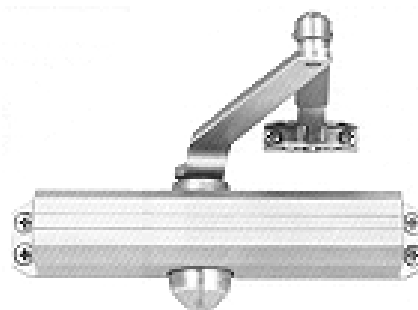


Door Closers

YALE - 50 SERIES



- Non-Handed
- Tri-packed (regular, parallel & top jamb arm installations)
- Rack & Pinion Design
- Cast Aluminum Body
- 180° Door Swing Capability
- Available Delayed-Action Pressure Relief Valve (in lieu of standard backcheck intensity valve)



Part#	description
Y50136**	hold open Multi Size (ANSI Sizes 3-6)
Y50114**	hold open Multi Size Barrier Free (ANSI Sizes 1-4)
Y501H3**	Hospital Hold Open (ANSI Size 3)
Y501H4**	Hospital Hold Open (ANSI Size 4)
Y55236**	non-hold open Multi Size(ANSI Sizes 3-6)
Y55214**	non-hold open Multi Size Barrier Free (ANSI Sizes 1-4)

****AVAILABLE FINISHES AND ADDITIONAL FEATURES:**

AL - Aluminum
 BB - Blackened Bronze
 BLK- Black
 BGE-Beige

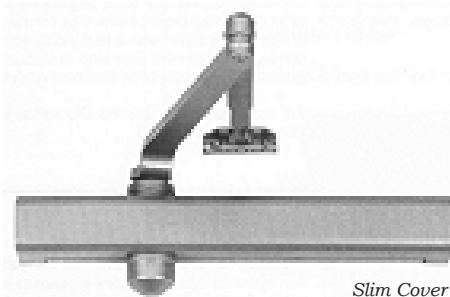
ADDITIONAL FEATURES FOR BARRIER FREE CLOSERS ONLY:

CC - Corrosion Resistant Cover
 DV - Delayed Action Closing Valve

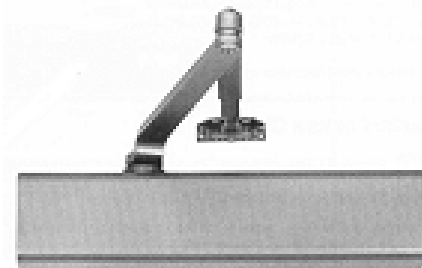
YALE - 3000 SERIES



- Non-Handed
- Tri-packed (regular, parallel & top jamb arm installations)
- Rack & Pinion Design
- Aluminum Alloy Housing
- Adjustable Sweep & Latch Speed
- Adjustable Multi-Size Closer (ANSI Sizes 1-6)
- Available Delayed-Action Pressure Relief Valve (in lieu of standard backcheck intensity valve)
- Slim (Y33) or Full Cover (Y35) Options



Slim Cover



Full Cover

SLIM COVER:

Part#	description
Y33216**	non-hold open-slim
Y33116**	hold open-slim
Y33116HP**	holder/stop-slim
Y33116HT**	holder/stop thumbturn-slim
Y33116DV**	delayed action-slim

FULL COVER:

Y35216**	non-hold open-full
Y35116**	hold open-full
Y33116HP**	holder/stop-full
Y33116HT**	holder/stop thumbturn-full
Y33116DV**	delayed action-full

****AVAILABLE FINISHES:**

AL - Aluminum
 BB - Blackened Bronze
 BLK- Black
 BGE-Beige